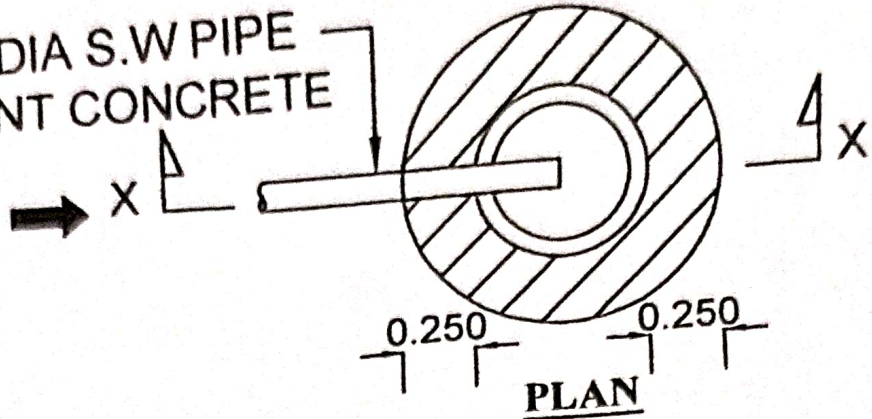




100 MM DIA S.W PIPE
IN CEMENT CONCRETE



450 Ø C.I. COVER
100 TH. R.C.C. SLAB

80 TH. R.C.C. SLAB

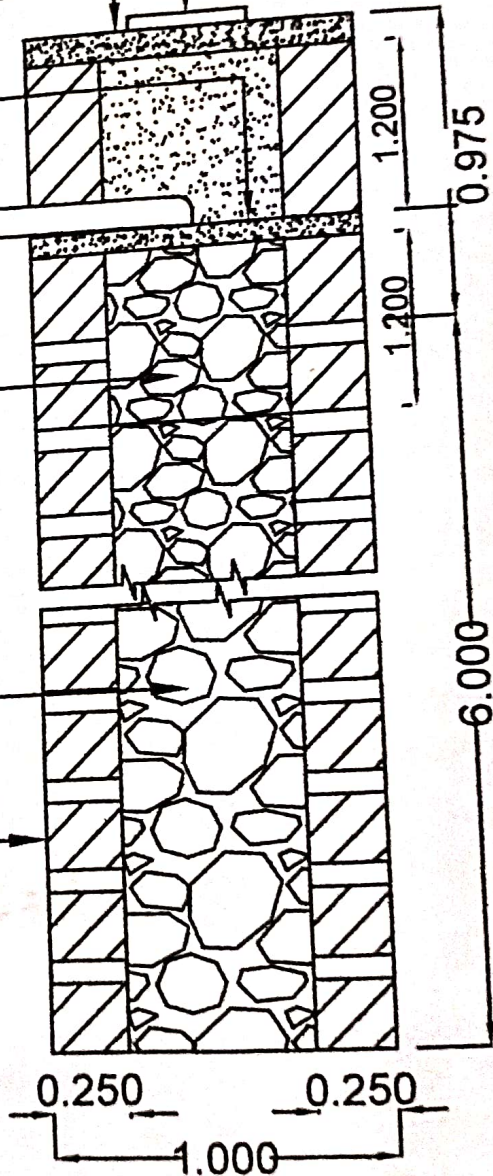
1 IN 40

100 Ø INLET PIPE FROM
SEPTIC TANK OUTLET

JHAMA BRICKS BALLAST OR
BURNT CLINKER 60 MM.

JHAMA BRICKS BALLAST
OR QUARRY SPALLS

BRICK HOGGING IN C.M. 1:6



SECTION ELEVATION OF X-X

SOAK PITH DETAILS
FOR 100 USERS (SCALE - 1:50)